



Thermal Solution LED Highbay



INVENTRONICS



The A⁺ Group

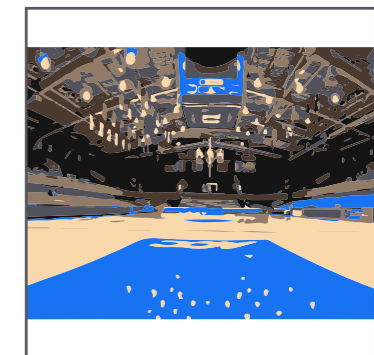
www.the-agroup.com.hk



Thermal Solution Design For Standard & Dimmable Applications



Warehouse



Indoor Stadium



Corridor



Gymnasium

Product Features

Performance Summary

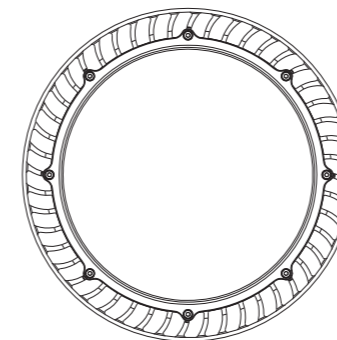
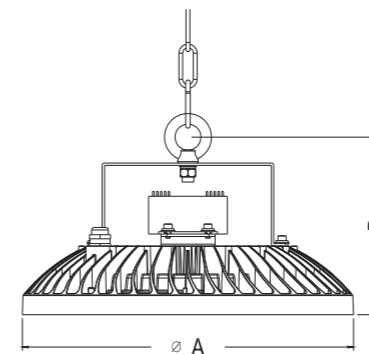
- 220-240Vac 50/60 Hz.
- 125 lm/W at system level.
- 50°, 110° two beam angles available.
- Available in dark gray, light gray & black.
- IP66.
- IK08.
- L70 B10 > 50,000 hrs (Ta 30°C).
- (Optional) Model LLHA07 - Low UGR lens. 130lm/W.



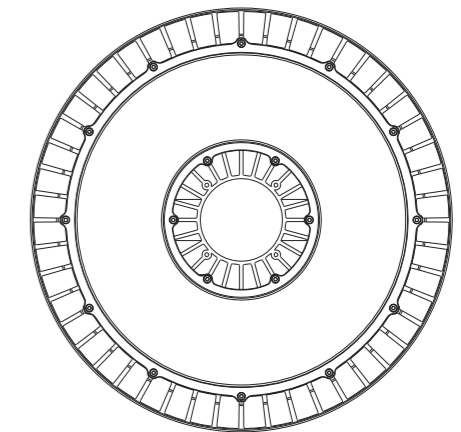
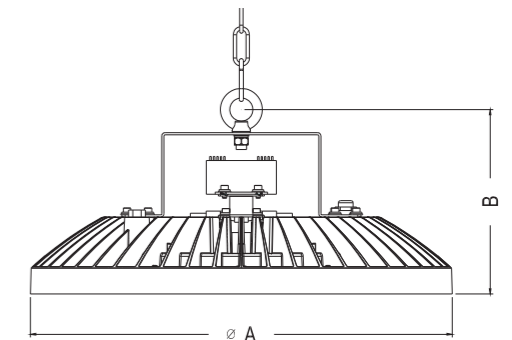
Basic Parameter(Ta=25°C)

| | |
|-------------------------|---|
| CRI | >80 |
| SDCM | ≤5 steps ± 135K tolerance |
| Color Temperature | 4000K,5000K |
| Operation Temperature | -40°C~ + 50°C |
| Using Humidity | 10%~90% (No Condensation) |
| Storage Temperature | -40°C~+60°C |
| Main Material | Magnesium Alloy |
| IP Rating | IP66 |
| Exterior Colors Options | A2=Black B1=Light Gray B4=Dark Gray |
| Life Time | L70 B10 > 50,000hrs (Ta 30°C) |
| Limited Warranty | 5 Years Standard |
| Control Driver Options | N=Standard Non-Dim Driver P=0-10V Dimmable Driver D=DALI Dimmable Drivers |
| Product Standards | CE, CB, RoHS |
| Files Available | LM80,IES |

Product Dimension



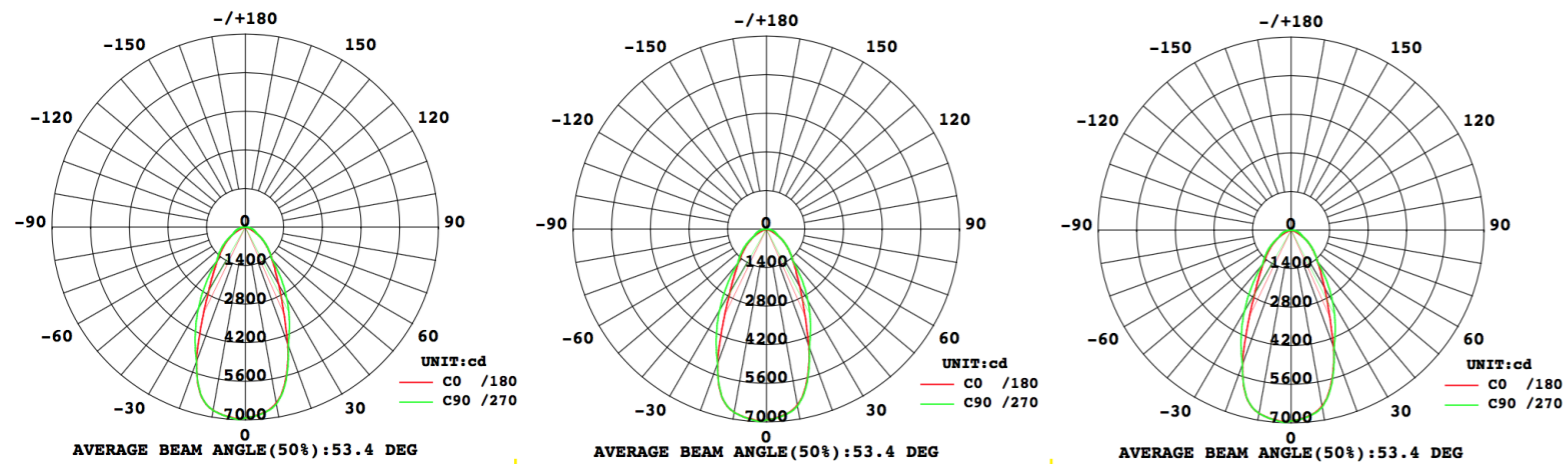
A=280.0mm
B=150.0mm



A=400.0mm
B=174.0mm

Luminance Intensity Distribution & Cone Lux Diagram

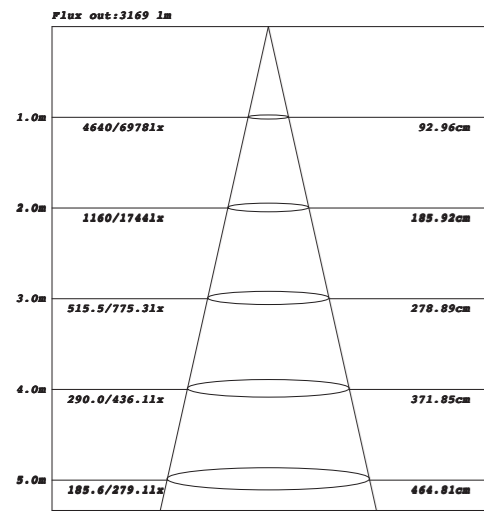
Light Distribution Curve [Unit:cd]



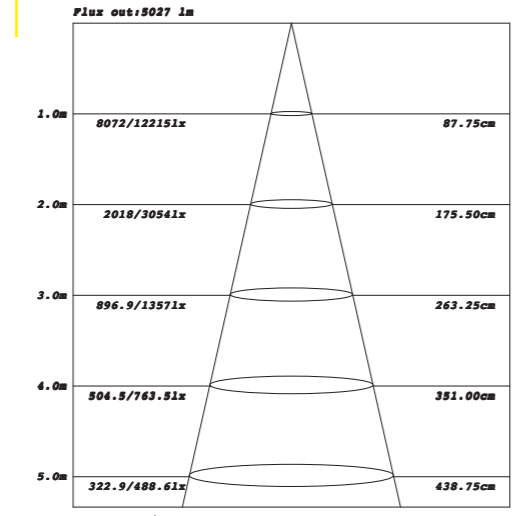
LLHA05-S060

LLHA05-S100

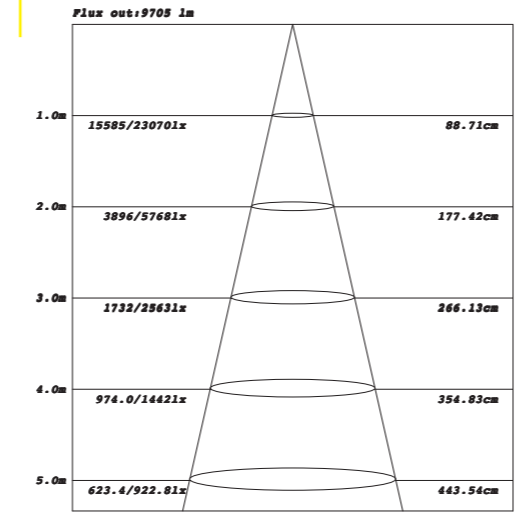
LLHA05-S200



Note: The Curves indicate the illuminated area and the average illumination when the luminaire is at different distance.



Note: The Curves indicate the illuminated area and the average illumination when the luminaire is at different distance.



Note: The Curves indicate the illuminated area and the average illumination when the luminaire is at different distance.

Electrical Parameters & Lumen Output

Electrical Parameters (Ta=25°C)

| Test Item | Min. | Typ. | Max. | Notes |
|---------------------------|--------|------------|--------|------------------------|
| Input Voltage | 200Vac | 220-240Vac | 265Vac | |
| Input Frequency | 47Hz | 50/60Hz | 63Hz | |
| LLHA05-S060 Input Current | - | - | 0.35A | 220Vac 50Hz |
| LLHA05-S095 Input Current | - | - | 0.50A | 220Vac 50Hz |
| LLHA05-S100 Input Current | - | - | 0.50A | 220Vac 50Hz |
| LLHA05-S120 Input Current | - | - | 0.65A | 220Vac 50Hz |
| LLHA05-S150 Input Current | - | - | 0.80A | 220Vac 50Hz |
| LLHA05-S200 Input Current | - | - | 1.10A | 220Vac 50Hz |
| Power Factor | 0.90 | - | - | 220Vac 50Hz |
| THD | - | - | 20% | 220Vac 50Hz |
| Leakage Current | - | - | 0.70mA | IEC60598-1;240Vac 60Hz |

Lumen Output (Test Condition 220Vac 50/60Hz 4000K Ta=25°C)

| Model Name | Min. | Typ. | Max. | Luminous Efficacy |
|--------------|-----------|-----------|------|-------------------|
| LLHA05-S060A | 6,750 lm | 7,500 lm | - | 125 lpw |
| LLHA05-S060B | 6,650 lm | 7,380 lm | - | 123 lpw |
| LLHA05-S095A | 10,700 lm | 11,900 lm | - | 125 lpw |
| LLHA05-S095B | 10,500 lm | 11,700 lm | - | 123 lpw |
| LLHA05-S100A | 11,250 lm | 12,500 lm | - | 125 lpw |
| LLHA05-S100B | 11,100 lm | 12,300 lm | - | 123 lpw |
| LLHA05-S120A | 13,500 lm | 15,000 lm | - | 125 lpw |
| LLHA05-S120B | 13,300 lm | 14,760 lm | - | 123 lpw |
| LLHA05-S150A | 16,900 lm | 18,750 lm | - | 125 lpw |
| LLHA05-S150B | 16,600 lm | 18,450 lm | - | 123 lpw |
| LLHA05-S200A | 22,500 lm | 25,000 lm | - | 125 lpw |
| LLHA05-S200B | 22,100 lm | 24,600 lm | - | 123 lpw |

Standard Ordering Data

Ordering Number Logic

| LLHA05-S | Nominal Wattage | Beam Angle | Control | LED | GRI | CCT | Exterior Colors | -** |
|--------------|--|-----------------|----------------------------|-------------------------|------|----------------------|---|---------------|
| Product Code | 060=60W 095=95W 100=100W 120=120W 150=150W 200=200W | A=50° B=110° | N=Non P=0-10V D=DALI | A=Nichia B=Lumi leds | E=80 | 40=4000K 50=5000K | A2=Black B1=Light Gray B4=Dark Gray | Internal Code |

Product Model List

| Product Code | Nominal Wattage | Beam Angle | Size(φ*H) | Weight |
|--------------|-----------------|------------|-------------|--------|
| LLHA05-S060A | 60W | 50° | 280mm*150mm | 2.8kg |
| LLHA05-S060B | 60W | 110° | 280mm*150mm | 2.8kg |
| LLHA05-S095A | 95W | 50° | 280mm*150mm | 2.8kg |
| LLHA05-S095B | 95W | 110° | 280mm*150mm | 2.8kg |
| LLHA05-S100A | 100W | 50° | 400mm*174mm | 5.0kg |
| LLHA05-S100B | 100W | 110° | 400mm*174mm | 5.0kg |
| LLHA05-S120A | 120W | 50° | 400mm*174mm | 5.0kg |
| LLHA05-S120B | 120W | 110° | 400mm*174mm | 5.0kg |
| LLHA05-S150A | 150W | 50° | 400mm*174mm | 5.0kg |
| LLHA05-S150B | 150W | 110° | 400mm*174mm | 5.0kg |
| LLHA05-S200A | 200W | 50° | 400mm*174mm | 5.0kg |
| LLHA05-S200B | 200W | 110° | 400mm*174mm | 5.0kg |

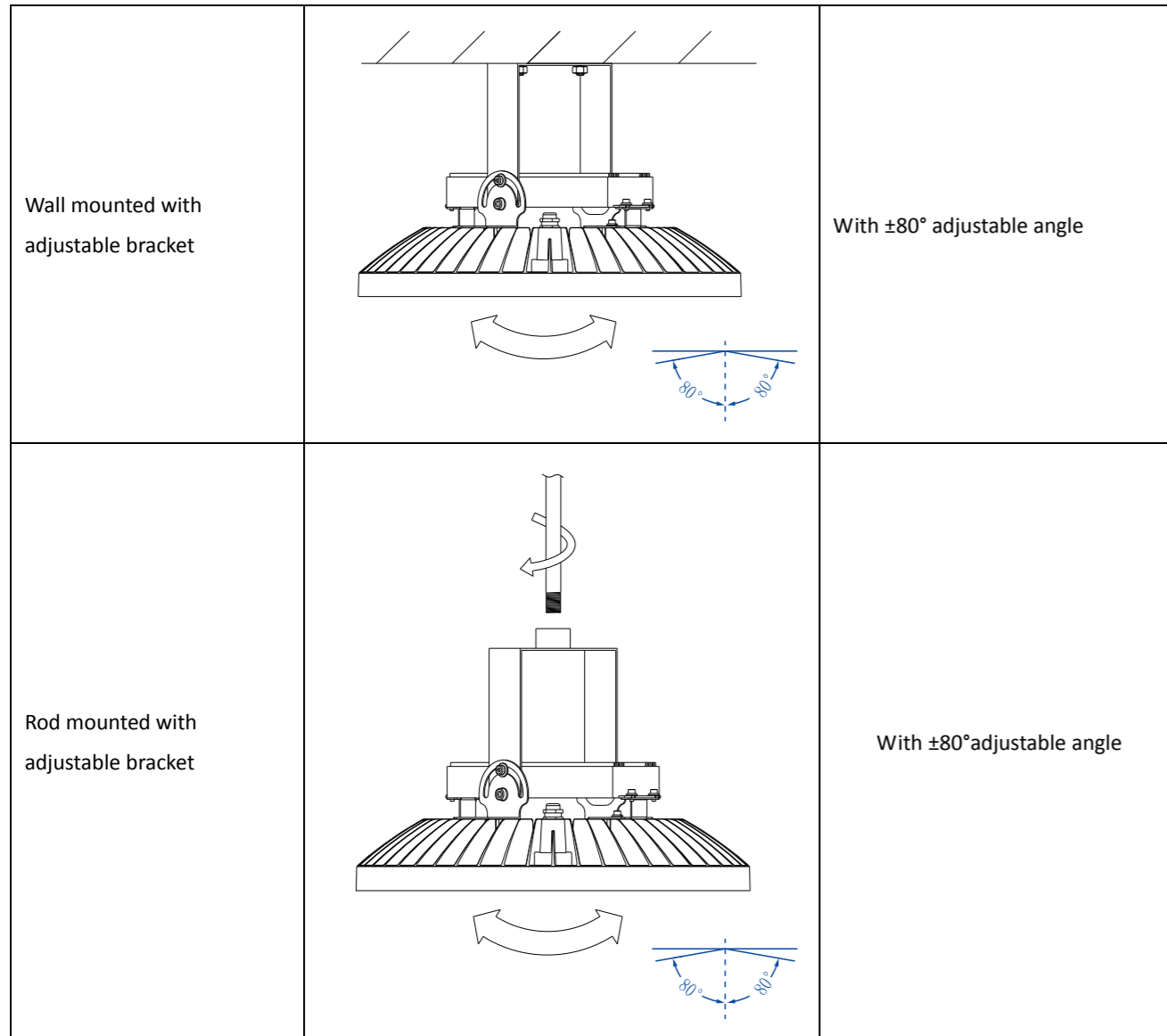
* Nominal Wattage Tolerance: ±10%;

* Beam Angle Tolerance: ±10°.

Product Installation Diagram

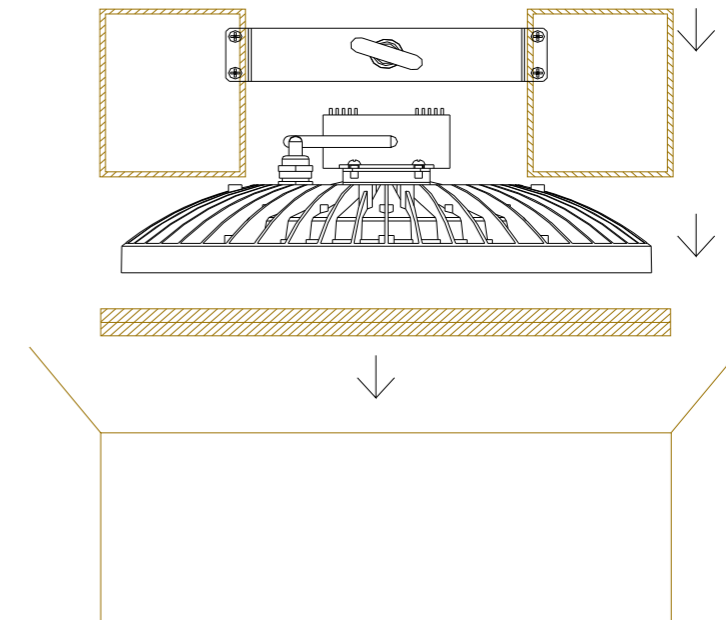
| Mounting Options | Image | Remarks |
|---|-------|--|
| Self prepared accessories (For Reference Only) | | <ol style="list-style-type: none"> Wire connection must fulfill IP66. Requirements. Waterproof junk box or connector is recommended. Ring can withstand 20kg. Suggested expansion Screw spec.: M8x70 mm. Suggested rod size: G1/2", with x14 screw thread. |
| Suspended | | Standard Chain Options: - 1m Galvanized Steel (Included) - 1m Stainless Steel |
| Rod Mounted | | |

Packaging Details



Note: Installation location reliable bearing capability exceeds 20kg.

Packaging Schematic



Package Reference

| | | |
|---------------------------|-------------------------|---|
| Model Name | LLHA05-S060/LLHA05-S095 | LLHA05-S100/LLHA05-S120/LLHA05-S150/LLHA05-S200 |
| Inner Box Size | 315mm*315mm*130mm | / |
| Quantity Per Inner Carton | 1 pcs | / |
| Outer Box Size | 650mm*330mm*285mm | 445mm*445mm*160mm |
| Quantity Per Outer Carton | 4 pcs | 1 pcs |
| Net Weight | 9.2 kg | 4.6 kg |
| Gross Weight | 10.7 kg | 5.4 kg |



Web Site

www.the-agroup.com.hk

E-mail

info@the-agroup.com

Address

Unit 7, 18/F., Metro Centre II, No. 21 Lam Hing Street,
Kowloon Bay, Kowloon, Hong Kong

Editor

Au Pui Man

We reserves all rights to make any changes to technical information's or data without notification, should there be any dispute the decision of The A+ Group shall be final.