

®



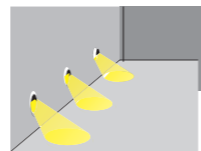
# Thermal Solution LED Steplight



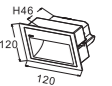
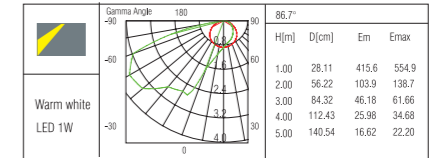
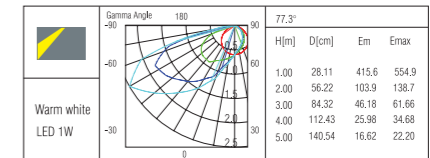
The A<sup>+</sup> Group  
[www.the-agroup.com.hk](http://www.the-agroup.com.hk)



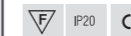
- Asymmetric light distribution.
- Suitable for the corridors and stairways in hotels, clubs, office and residential places.



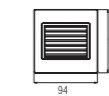
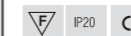
**Model NO: CEQ11003**  
 LED Power: 1W  
 Input Voltage: AC 220V-240V  
 CCT: 2000K/3000K/6000K  
 Color:   
 Material: PC  
 Installation: Recessed  
 Cut-out: 104\*104mm  
 Diver: Built-in



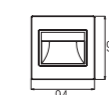
**Model NO: CEQ11005**  
 LED Consumption: 1W  
 Input Voltage: AC 220V-240V  
 CCT: 2000K/4000K/6000K  
 Color:   
 Material: PC  
 Installation: Recessed  
 Cut-out:  $\varnothing$  104mm  
 Diver: Built-in




**Model NO: CEQ11009**  
 LED Consumption: 1W  
 Input Voltage: AC 220V-240V  
 CCT: 2000K/4000K/6000K  
 Color:   
 Material: PC  
 Installation: Recessed  
 Cut-out: With 86 box  
 Diver: Built-in

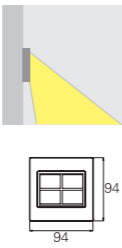


**Model NO: CEQ110011**  
 LED Consumption: 1W  
 Input Voltage: AC 220V-240V  
 CCT: 2000K/4000K/6000K  
 Color:   
 Material: PC  
 Installation: Recessed  
 Cut-out: With 86 box  
 Diver: Built-in






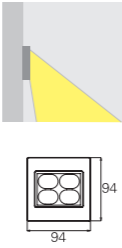
**Model NO: CEQ110013**  
 LED Consumption: 1W  
 Input Voltage: AC 220V-240V  
 CCT: 2000K/4000K/6000K  
 Color:   
 Material: PC  
 Installation: Recessed  
 Cut-out: With 86 box  
 Diver: Built-in



IP20 CE



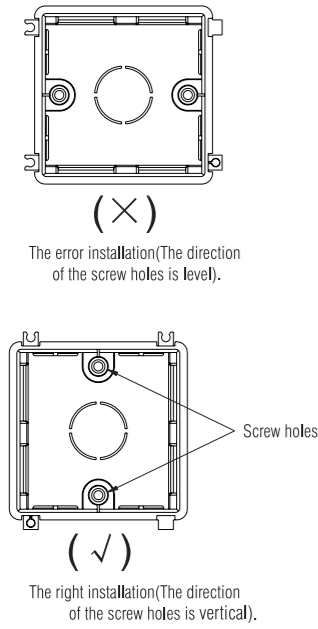
**Model NO: CEQ110015**  
 LED Consumption: 1W  
 Input Voltage: AC 220V-240V  
 CCT: 2000K/4000K/6000K  
 Color:   
 Material: PC  
 Installation: Recessed  
 Cut-out: With 86 box  
 Diver: Built-in



IP20 CE

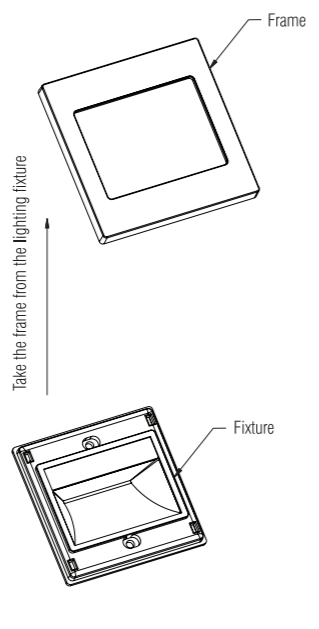
## Installation

1. Install the 86 box on the wall, take a note on the screw holes installation direction (Picture 1).



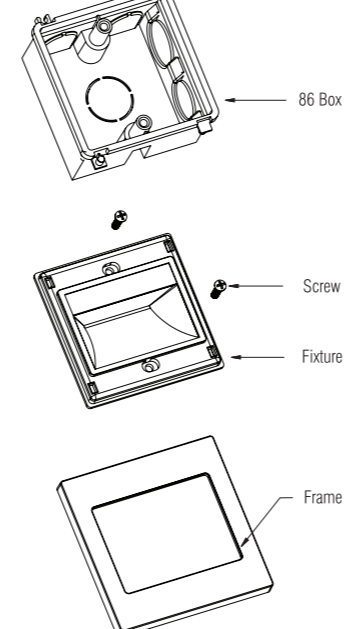
Picture 1

2. Take the frame from the lighting fixture (Picture 2).



Picture 2

3. Connect the wire, put the fixture into the 86 box.



Picture 3





**Web Site**

[www.the-agroup.com.hk](http://www.the-agroup.com.hk)

**E-mail**

[info@the-agroup.com](mailto:info@the-agroup.com)

**Address**

Unit 7, 18/F., Metro Centre II, No. 21 Lam Hing Street,  
Kowloon Bay, Kowloon, Hong Kong

**Editor**

Au Pui Man

We reserves all rights to make any changes to technical information's or data without notification, should there be any dispute the decision of The A<sup>+</sup> Group shall be final.